



8.0 mm Dual-Thread Screws



8.0 mm Dual-Thread Screws

Dual-thread screws possess a threaded head, conically shaped. Screws are hand-sharpened, 32 mm thread length and S (short) 16 mm thread length.

General Specifications:

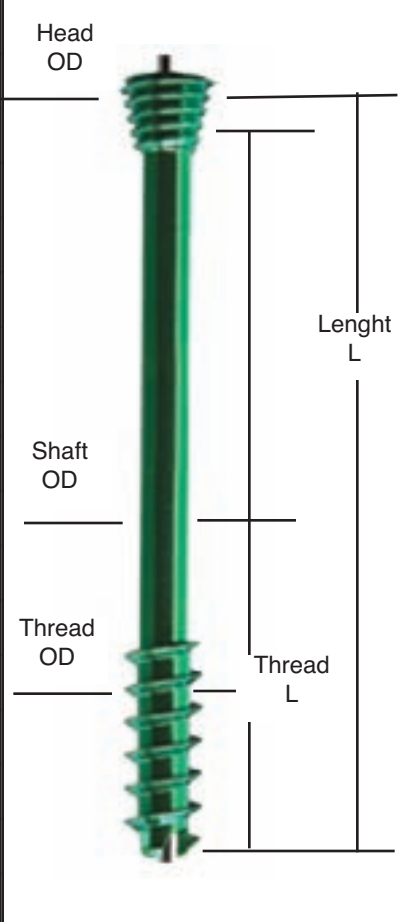
Partially threaded, compression screws for rear foot fixation & reconstruction.

Material Titanium, anodized dark green

Thread D 8.0 mm Head OD 9.0 mm Hex Head 3.5 mm

Pitch 2.75 mm Thread ht 6.0 mm Cannulation 2.0 mm

Shaft OD 5.5 mm Head ht 7.25 mm

Style No.	Screw L	Thread L	Head OD
F80-070-20	70	32	
F80-080-20	80	32	
F80-090-20	90	32	
F80-100T-20	100	32	
F80-105T-20	105	32	
F80-110T-20	110	32	
F80-115T-20	115	32	
F80-120T-20	120	32	
F80-125T-20	125	32	
F80-130T-20	130	32	
F80-135T-20	135	32	
F80-140T-20	140	32	
F80-145T-20	145	32	
F80-150T-20	150	32	
F80-155T-20	155	32	
F80-160T-20	160	32	

F80-130T-20: 32 mm thread

F80-130T-20S: S(hort) 16 mm thread

Recommended Instruments:

Guide wires K230-20, K230-20, K250-20D, K300-20D

Depth Gauges Z210-230, Z235-230T, Z235-250T

Screwdriver Z300-35-20, Z700-35-20

Countersink Z230-20, Z220-20, Z620-20, Z630-20

Drill Z400-230-55



3.0 mm Dual-Thread Screws



3.0 mm Dual-Thread Screws

Dual-thread screws possess a threaded head, conically shaped. Screws are hand-sharpened.

General Specifications:

Partially threaded, compression screws for small bone fixation

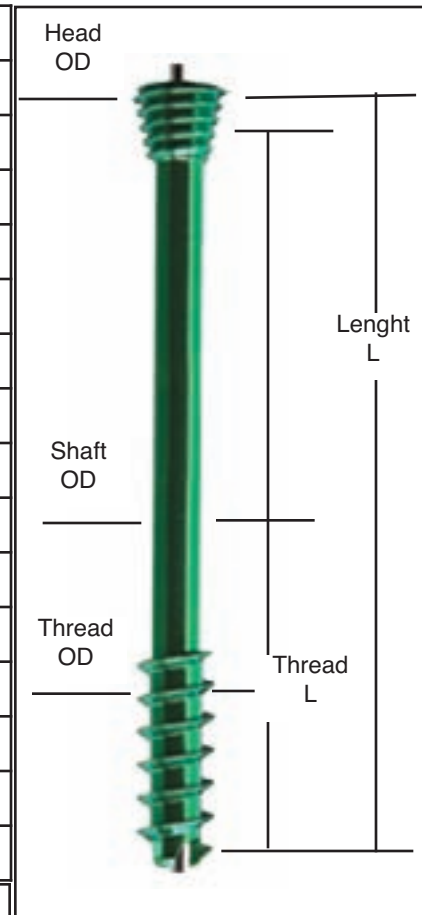
Material Titanium, anodized dark green

Thread D 3.0 mm Head OD 4.3 mm Hex Drive 2.5 mm

Pitch 1.0 mm Thread ht 3.0 mm Cannulation 1.1 mm

Shaft OD 2.1 mm

Style No.	Screw L	Thread L
F30-06T-11	6	3.2
F30-08T-11	8	3.2
F30-10T-11	10	3.5
F30-12T-11	12	4.2
F30-14T-11	14	4.9
F30-16T-11	16	5.6
F30-18T-11	18	6.3
F30-20T-11	20	7.0
F30-22T-11	22	7.7
F30-24T-11	24	8.4
F30-26T-11	26	9.1
F30-28T-11	28	9.8
F30-30T-11	30	10.0
F30-32T-11	32	10.0
F30-34T-11	34	10.0
F30-36T-11	36	10.0
F30-38T-11	38	10.0
F30-40T-11	40	10.0



Recommended Instruments:

Guide wires K100-11S, K60-11S

Depth Gauges Z210-060, Z210-100, Z235-100, Z235-100T

Screwdriver Z300-25-11, Z700-25-11

Countersink Z230-11, Z220-11, Z620-11, Z630-11



4.0 mm Dual-Thread Screws



4.0 mm Dual-Thread Screws

Dual-thread screws possess a threaded head, conically shaped. Screws are hand-sharpened

General Specifications:

Partially threaded, compression screws for bone fixation

Material Titanium, anodized dark green

Thread D 4.0 mm Head OD 5.5 mm Hex Head 2.5 mm

Pitch 1.75 mm Head ht 4.8 mm Cannulation 1.1 mm

Shaft OD 2.3 mm

Style No.	Screw L	Thread L
F40-20T-11	20	6.7
F40-22T-11	22	7.3
F40-24T-11	24	8.0
F40-26T-11	26	8.7
F40-28T-11	28	9.3
F40-30T-11	30	10.0
F40-32T-11	32	10.7
F40-34T-11	34	11.3
F40-36T-11	36	12.0
F40-38T-11	38	12.7
F40-40T-11	40	13.3
F40-45T-11	45	13.5
F40-50T-11	50	13.5
F40-55T-11	55	13.5
F40-60T-11	60	13.5

Recommended Instruments:

Guide wires K100-11S

Depth Gauges Z210-060, Z210-100, Z235-100, Z235-100T

Screwdriver Z300-25-11, Z700-25-11

Countersink Z230-11, Z220-11, Z620-11, Z630-11

Drill bit Z400-100-22



6.5 mm Dual-Thread Screws



6.5 mm Dual-Thread Screws

Dual-thread screws possess a threaded head, conically shaped. Screws are hand-sharpened

General Specifications:

Partially threaded, compression screws for rear foot fixation & reconstruction.

Material Titanium, anodized dark green

Thread D 6.5 mm Head OD 8.0 mm Hex Head 3.5 mm

Pitch 2.75 mm Head ht 6.25 mm Cannulation 2.0 mm

Shaft OD 4.2 mm

VARIABLE THREAD SCREWS

Style No.	Screw L	Thread L	Head OD
F65-30T-20	30	10	
F65-35T-20	35	12	
F65-40T-20	40	13	
F65-45T-20	45	15	
F65-50T-20	50	15	
F65-55T-20	55	15	
F65-60T-20	60	16	
F65-65T-20	65	18	
F65-70T-20	70	20	
F65-75T-20	75	22	
F65-80T-20	80	24	
F65-85T-20	85	26	
F65-90T-20	90	28	
F65-95T-20	95	28	
F65-100T-20	100	28	
F65-105T-20	105	28	
F65-110T-20	110	28	
F65-115T-20	115	28	
F65-120T-20	120	28	

The diagram shows a vertical green screw with a hexagonal head at the top and a threaded section at the bottom. Dimension lines indicate: 'Head OD' for the diameter of the hex head; 'Shaft OD' for the diameter of the smooth shaft; 'Thread OD' for the diameter of the threaded section; 'Length L' for the total length of the screw; and 'Thread L' for the length of the threaded portion.



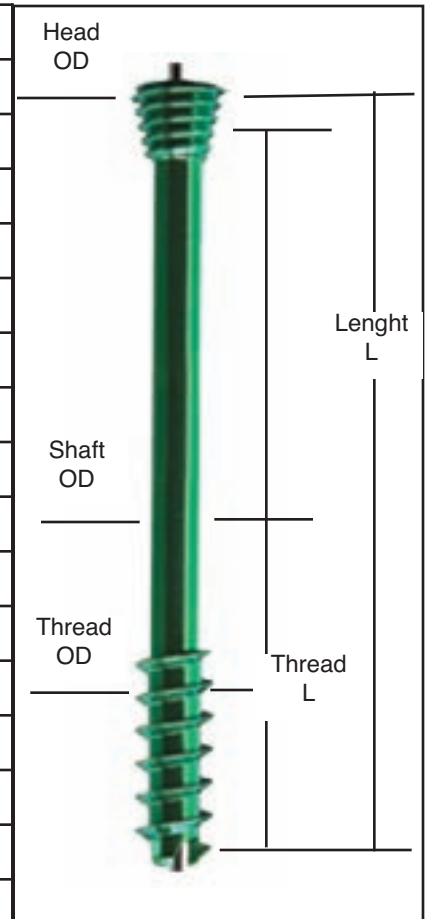
6.5 mm Dual-Thread Screws



6.5 mm Dual-Thread Screws

FIXED THREAD SCREWS

Style No.	Screw L	Thread L
F65-30T-20S	30	16
F65-35T-20S	35	16
F65-40T-20S	40	16
F65-45T-20S	45	16
F65-50T-20S	50	16
F65-55T-20S	55	16
F65-60T-20S	60	16
F65-65T-20S	65	16
F65-70T-20S	70	16
F65-75T-20S	75	16
F65-80T-20S	80	16
F65-85T-20S	85	16
F65-90T-20S	90	16
F65-95T-20S	95	16
F65-100T-20S	100	16
F65-105T-20S	105	16
F65-110T-20S	110	16
F65-115T-20S	115	16
F65-120T-20S	120	16



Recommended Instruments:

- Guide wires K230-20, K230-20, K250-20D, K300-20D
- Depth Gauges Z210-230, Z235-230T, Z235-250T
- Screwdriver Z300-35-20, Z700-35-20
- Countersink Z230-20, Z220-20, Z620-20, Z630-20
- Drill Z400-150-45



8.0 mm Dual-Thread Screws



8.0 mm Dual-Thread Screws

Dual-thread screws possess a threaded head, conically shaped. Screws are hand-sharpened, 32 mm thread length and S (short) 16 mm thread length.

General Specifications:

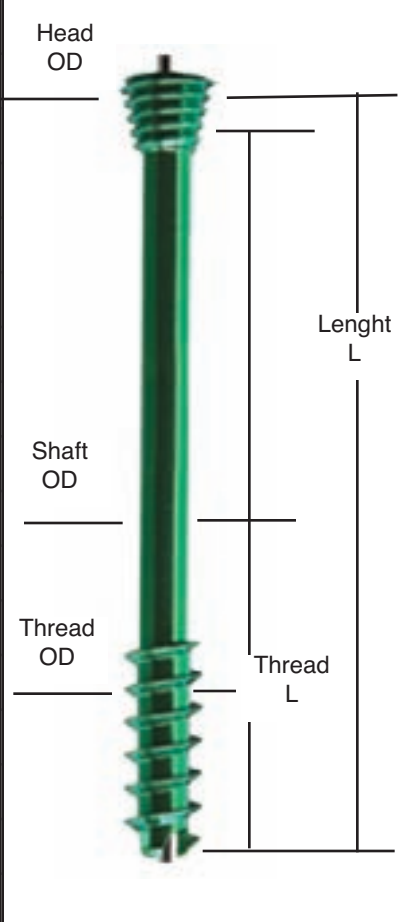
Partially threaded, compression screws for rear foot fixation & reconstruction.

Material Titanium, anodized dark green

Thread D 8.0 mm Head OD 9.0 mm Hex Head 3.5 mm

Pitch 2.75 mm Thread ht 6.0 mm Cannulation 2.0 mm

Shaft OD 5.5 mm Head ht 7.25 mm

Style No.	Screw L	Thread L	Head OD
F80-070-20	70	32/16	
F80-080-20	80	32/16	
F80-090-20	90	32/16	
F80-100T-20/S	100	32/16	
F80-105T-20/S	105	32/16	
F80-110T-20/S	110	32/16	
F80-115T-20/S	115	32/16	
F80-120T-20/S	120	32/16	
F80-125T-20/S	125	32/16	
F80-130T-20/S	130	32/16	
F80-135T-20/S	135	32/16	
F80-140T-20/S	140	32/16	
F80-145T-20/S	145	32/16	
F80-150T-20/S	150	32/16	
F80-155T-20/S	155	32/16	
F80-160T-20/S	160	32/16	

F80-130T-20: 32 mm thread

F80-130T-20S: S(hort) 16 mm thread

Recommended Instruments:

Guide wires K230-20, K230-20, K250-20D, K300-20D

Depth Gauges Z210-230, Z235-230T, Z235-250T

Screwdriver Z300-35-20, Z700-35-20

Countersink Z230-20, Z220-20, Z620-20, Z630-20

Drill Z400-150-45



9.0 mm Dual-Thread Screws



9.0 mm Dual-Thread Screws

Dual-thread screws possess a threaded head, conically shaped. Screws are hand-sharpened, 32 mm thread length and S (short) 16 mm thread length.

General Specifications:

Partially threaded, compression screws for rear foot fixation & reconstruction.

Material Titanium, anodized dark green

Thread D	9.0 mm	Head OD	11.0 mm	Hex Head	3.5 mm
Pitch	2.75 mm	Thread ht	10.0 mm	Cannulation	2.5 mm
Shaft OD	7.0 mm				

Style No.	Screw L	Thread L	
F90-100T-25	100	32	
F90-110T-25	110	32	
F90-120T-25	120	32	
F90-130T-25	130	32	
F90-140T-25	140	32	
F90-150T-25	150	32	
F90-160T-25	160	32	
F90-170T-25	170	32	
F90-180T-25	180	32	
F90-190T-25	190	32	
F90-200T-25/S	200	32	
F90-210T-25/S	210	32	
F90-220T-25/S	220	32	
F90-230T-25/S	230	32	
F90-240T-25/S	240	32	
F90-250T-25/S	250	32	

Recommended Instruments:

Guide wires	K230-20, K230-20, K250-20D, K300-20D
Depth Gauges	Z210-230, Z235-230T, Z235-250T
Screwdriver	Z300-35-20, Z700-35-20
Countersink	Z230-20, Z220-20, Z620-20, Z630-20
Drill	Z400-150-45



2.0 mm Lag Screws: Stainless



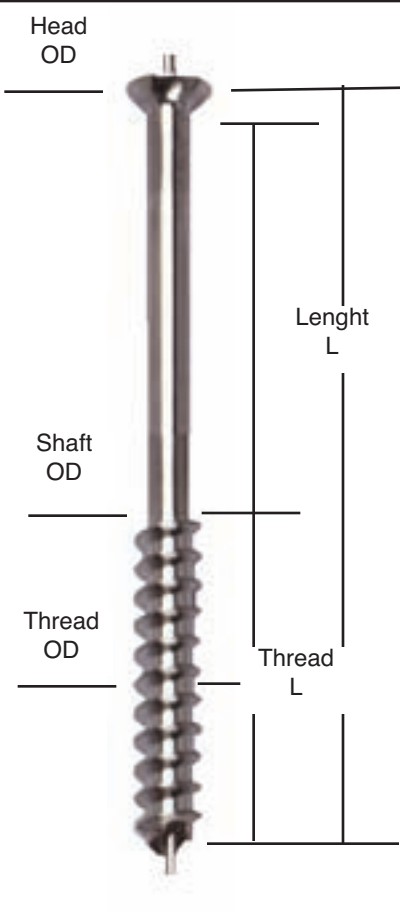
2.0 mm Lag Screws: Stainless

Conventional lag screws possess a low-profile head. Screws are hand-sharpened.

General Specifications:

Partially threaded, compression screws for small bone fixation

Material	Stainless steel, 316L				
Thread D	2.0 mm	Head OD	3.2 mm	Hex driver	1.6 mm
Thrd Pitch	0.9 mm	Head ht	0.9 mm	Cannulation	0.9 mm
Shaft OD	1.6 mm				

Style No.	Screw L	Thread L	Head OD
S20-06S-09	6	3.2	
S20-07S-09	7	3.2	
S20-08S-09	8	3.2	
S20-09S-09	9	3.2	
S20-10S-09	10	3.5	
S20-11S-09	11	3.8	
S20-12S-09	12	4.2	
S20-13S-09	13	4.5	
S20-14S-09	14	4.8	
S20-15S-09	15	5.1	
S20-16S-09	16	5.4	
S20-17S-09	17	5.7	
S20-18S-09	18	6.0	
S20-19S-09	19	6.0	
S20-20S-09	20	6.0	
S20-21S-09	21	6.0	
S20-22S-09	22	6.0	
S20-23S-09	23	6.0	
S20-24S-09	24	6.0	
S20-36S-09	36	6.0	

Recommended Instruments:

Guide wires	K100-09S, K60-09S
Depth Gauges	Z210-060, Z210-100, Z235-100, Z235-100T
Screwdriver	Z300-16-09, Z700-16-09
Countersink	Z230-11, Z220-11, Z620-11, Z630-11



2.5 mm Lag Screws: Stainless



2.5 mm Lag Screws: Stainless

Conventional lag screws possess a low-profile head. Screws are hand-sharpened.(0.9 mm cannulation)

General Specifications:

Partially threaded, compression screws for small bone fixation

Material Stainless steel, 316L

Thread D 2.5 mm Head OD 3.8 mm Hex Drive 2.5 mm

Pitch 1.0 mm Head ht 1.0 mm Cannulation 0.9 mm

Shaft OD 2.0 mm

Style No.	Screw L	Thread L
S25-06S-09	6	3.2
S25-08S-09	8	3.2
S25-10S-09	10	3.5
S25-12S-09	12	4.2
S25-14S-09	14	4.9
S25-16S-09	16	5.6
S25-18S-09	18	6.3
S25-20S-09	20	7.0
S25-22S-09	22	7.7
S25-24S-09	24	8.4
S25-26S-09	26	9.1
S25-28S-09	28	9.8
S25-30S-09	30	10.0
S25-32S-09	32	10.0
S25-34S-09	34	10.0
S25-36S-09	36	10.0
S25-38S-09	28	10.0
S25-40S-09	40	10.0

Recommended Instruments:

Guide wires	K100-09S, K100-11S, K60-09S, K60-11S
Depth Gauges	Z210-060, Z210-100, Z235-100, Z235-100T
Screwdriver	Z300-25-11, Z700-25-11
Countersink	Z230-11, Z220-11, Z620-11, Z630-11



2.5 mm Lag Screws: Stainless



2.5 mm Lag Screws: Stainless

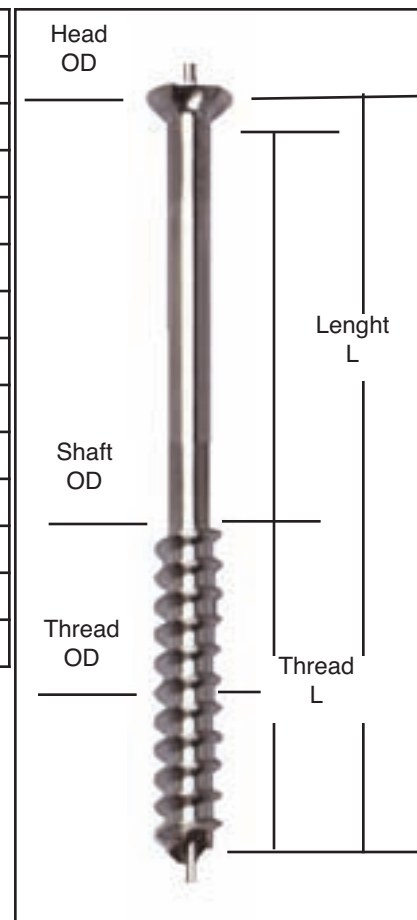
Conventional lag screws possess a low-profile head. Screws are hand-sharpened.

General Specifications:

Partially threaded, compression screws for small bone fixation

Material	Stainless steel, 316L				
Thread D	2.5 mm	Head OD	3.8 mm	Hex Drive	2.5 mm
Pitch	1.0 mm	Head ht	1.0 mm	Cannulation	1.1 mm
Shaft OD	2.0 mm				

Style No.	Screw L	Thread L
S25-06S-11	6	3.2
S25-08S-11	8	3.2
S25-10S-11	10	3.5
S25-12S-11	12	4.2
S25-14S-11	14	4.9
S25-16S-11	16	5.6
S25-18S-11	18	6.3
S25-20S-11	20	7.0
S25-22S-11	22	7.7
S25-24S-11	24	8.4
S25-26S-11	26	9.1
S25-28S-11	28	9.8
S25-30S-11	30	10.0



Recommended Instruments:

Guide wires	K100-09S, K100-11S, K60-09S, K60-11S
Depth Gauges	Z210-060, Z210-100, Z235-100, Z235-100T
Screwdriver	Z300-25-11, Z700-25-11
Countersink	Z230-11, Z220-11, Z620-11, Z630-11



2.5 mm Lag Screws: Stainless



2.5 mm Lag Screws: Stainless

Special lag screws possess a low-profile head and extra long thread..
Screws are hand-sharpened.

General Specifications:

Partially threaded, compression screws for small bone fixation

Material	Stainless steel, 316L				
Thread D	2.5 mm	Head OD	3.8 mm	Hex Drive	2.5 mm
Pitch	1.0 mm	Head ht	1.0 mm	Cannulation	1.1 mm
Shaft OD	2.0 mm				

Special Long-Thread Screws 1.1 mm Cannulation Z180: The "Foot Set"

Style No.	Screw L	Thread L
FT25-14S-11	14	9.8
FT25-16S-11	16	11.2
FT25-18S-11	18	12.6
FT25-20S-11	20	14.0



FT-series,
long thread



S-series,
regular thread

Recommended Instruments:

Guide wires	K100-11S, K60-09S, K60-11S
Depth Gauges	Z210-060, Z210-100, Z235-100, Z235-100T
Screwdriver	Z300-25-11, Z700-25-11
Countersink	Z230-11, Z220-11, Z620-11, Z630-11



3.0 mm Lag Screws: Stainless



3.0 mm Lag Screws: Stainless

Conventional lag screws possess a low-profile head. Screws are hand-sharpened.

General Specifications:

Partially threaded, compression screws for small bone fixation

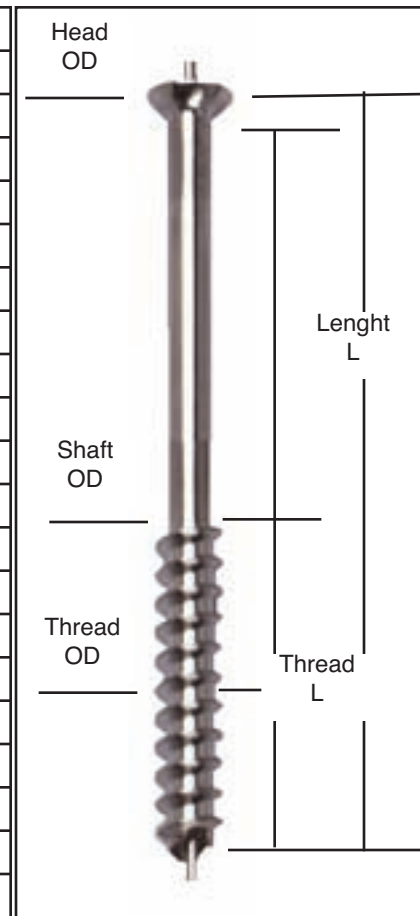
Material Stainless steel, 316L

Thread D 3.0 mm Head OD 4.3 mm Hex driver 2.5 mm

Pitch 1.0 mm THead ht 1.1 mm Cannulation 1.1 mm

Shaft OD 2.1 mm

Style No.	Screw L	Thread L
S30-06S-11	6	3.2
S30-08S-11	8	3.2
S30-10S-11	10	3.5
S30-12S-11	12	4.2
S30-14S-11	14	4.9
S30-16S-11	16	5.6
S30-18S-11	18	6.3
S30-19S-11	19	6.3
S30-20S-11	20	7.0
S30-21S-11	21	7.0
S30-22S-11	22	7.7
S30-23S-11	23	8.0
S30-24S-11	24	8.4
S30-25S-11	25	8.7
S30-26S-11	26	9.1
S30-28S-11	28	9.8
S30-30S-11	30	10.0
S30-32S-11	32	10.0
S30-34S-11	34	10.0
S30-36S-11	36	10.0
S30-38S-11	28	10.0
S30-40S-11	40	10.0



Recommended Instruments:

Guide wires K100-11S, K60-11S

Depth Gauges Z210-060, Z210-100, Z235-100, Z235-100T

Screwdriver Z300-25-11, Z700-25-11

Countersink Z230-11, Z220-11, Z620-11, Z630-11



3.0 mm Lag Screws: Stainless



3.0 mm Lag Screws: Stainless

Special lag screws possess a low-profile head and extra long thread..
Screws are hand-sharpened.

General Specifications:

Partially threaded, compression screws for small bone fixation

Material	Stainless steel, 316L				
Thread D	3.0 mm	Head OD	4.3 mm	Hex driver	2.5 mm
Pitch	1.0 mm	THead ht	1.1 mm	Cannulation	1.1 mm
Shaft OD	2.1 mm				

Special Long-Thread Screws 1.1 mm Cannulation Z180: The "Foot Set"

Style No.	Screw L	Thread L
FT30-14S-11	14	9.8
FT30-16S-11	16	11.2
FT30-18S-11	18	12.6
FT30-20S-11	20	14.0



FT-series,
long thread



S-series,
regular thread

Recommended Instruments:

Guide wires	K100-11S, K60-09S, K60-11S
Depth Gauges	Z210-060, Z210-100, Z235-100, Z235-100T
Screwdriver	Z300-25-11, Z700-25-11
Countersink	Z230-11, Z220-11, Z620-11, Z630-11



3.0 mm Lag Screws: Stainless



3.0 mm Lag Screws: Stainless

Conventional lag screws possess a low-profile head. Screws are hand-sharpened.

General Specifications:

Partially threaded, compression screws for small bone fixation

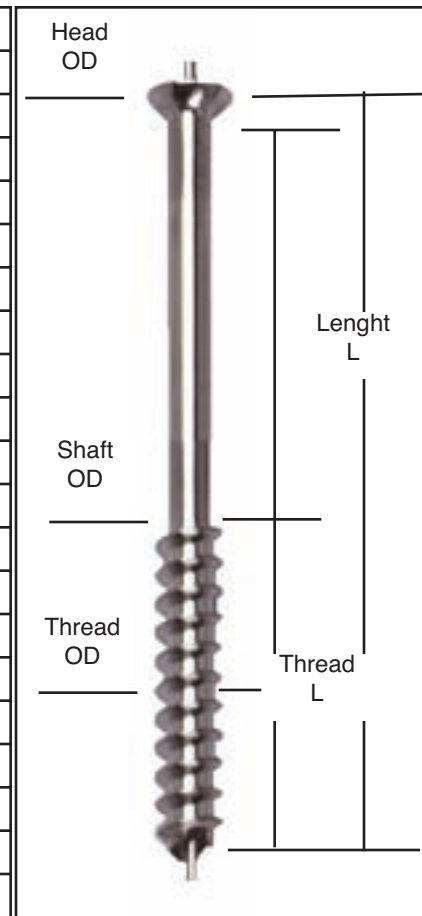
Material Stainless steel, 316L

Thread D 3.0 mm Head OD 4.3 mm Hex driver 2.5 mm

Pitch 1.0 mm THead ht 1.1 mm Cannulation 1.1 mm

Shaft OD 2.1 mm

Style No.	Screw L	Thread L
S30-06S-11	6	3.2
S30-08S-11	8	3.2
S30-10S-11	10	3.5
S30-12S-11	12	4.2
S30-14S-11	14	4.9
S30-16S-11	16	5.6
S30-18S-11	18	6.3
S30-19S-11	19	6.3
S30-20S-11	20	7.0
S30-21S-11	21	7.0
S30-22S-11	22	7.7
S30-23S-11	23	8.0
S30-24S-11	24	8.4
S30-25S-11	25	8.7
S30-26S-11	26	9.1
S30-28S-11	28	9.8
S30-30S-11	30	10.0
S30-32S-11	32	10.0
S30-34S-11	34	10.0
S30-36S-11	36	10.0
S30-38S-11	28	10.0
S30-40S-11	40	10.0



Recommended Instruments:

Guide wires K100-11S, K60-11S

Depth Gauges Z210-060, Z210-100, Z235-100, Z235-100T

Screwdriver Z300-25-11, Z700-25-11

Countersink Z230-11, Z220-11, Z620-11, Z630-11



3.0 mm Lag Screws: Stainless



3.0 mm Lag Screws: Stainless

Special lag screws possess a low-profile head and extra long thread..
Screws are hand-sharpened.

General Specifications:

Partially threaded, compression screws for small bone fixation

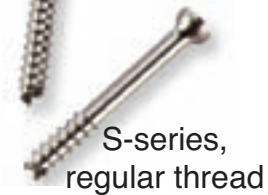
Material	Stainless steel, 316L				
Thread D	3.0 mm	Head OD	4.3 mm	Hex driver	2.5 mm
Pitch	1.0 mm	THead ht	1.1 mm	Cannulation	1.1 mm
Shaft OD	2.1 mm				

Special Long-Thread Screws 1.1 mm Cannulation Z180: The "Foot Set"

Style No.	Screw L	Thread L
FT30-14S-11	14	9.8
FT30-16S-11	16	11.2
FT30-18S-11	18	12.6
FT30-20S-11	20	14.0



FT-series,
long thread



S-series,
regular thread

Recommended Instruments:

Guide wires	K100-11S, K60-09S, K60-11S
Depth Gauges	Z210-060, Z210-100, Z235-100, Z235-100T
Screwdriver	Z300-25-11, Z700-25-11
Countersink	Z230-11, Z220-11, Z620-11, Z630-11



3.5 mm Lag Screws: Stainless



3.5 mm Lag Screws: Stainless

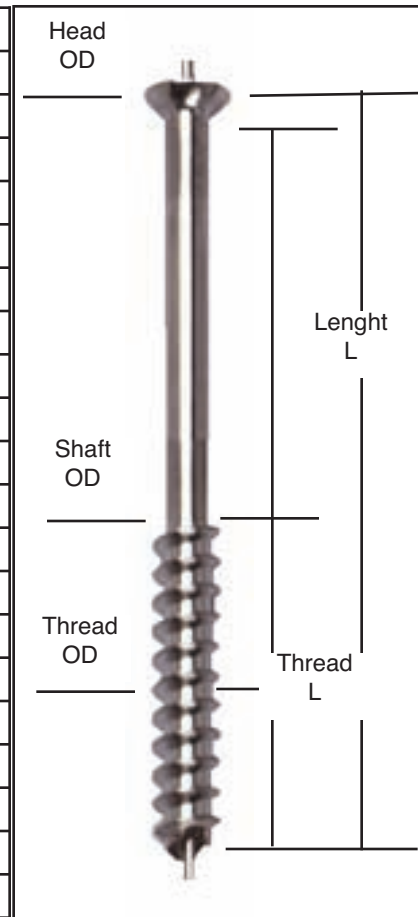
Conventional lag screws possess a low-profile head. Screws are hand-sharpened.

General Specifications:

Partially threaded, compression screws for small bone fixation.

Material	Stainless steel, 316L				
Thread D	3.5 mm	Head OD	5.2 mm	Hex driver	2.5 mm
Pitch	1.0 mm	Head ht	1.2 mm	Cannulation	1.1 mm
Shaft OD	2.2 mm				

Style No.	Screw L	Thread L
S35-10S-11	10	4.5
S35-12S-11	12	4.5
S35-14S-11	14	5.2
S35-16S-11	16	5.9
S35-18S-11	18	6.5
S35-20S-11	20	7.2
S35-22S-11	22	7.9
S35-24S-11	24	8.4
S35-26S-11	26	9.0
S35-28S-11	28	9.6
S35-30S-11	30	10.2
S35-32S-11	32	10.8
S35-34S-11	34	11.3
S35-36S-11	36	12.0
S35-38S-11	38	12.0
S35-40S-11	40	12.5
S35-42S-11	42	13.0
S35-44S-11	44	13.0
S35-46S-11	46	13.0
S35-48S-11	48	13.0
S35-50S-11	50	13.0



Recommended Instruments:

Guide wires	K100-11S, K60-11S
Depth Gauges	Z210-060, Z210-100, Z235-100, Z235-100T
Screwdriver	Z300-25-11, Z700-25-11
Countersink	Z230-11, Z220-11, Z620-11, Z630-11



4.0 mm Lag Screws: Stainless



4.0 mm Lag Screws: Stainless

Conventional lag screws possess a low-profile head. Screws are hand-sharpened.

General Specifications:

Partially threaded, compression screws for bone fixation.

Material	Stainless steel, 316L				
Thread D	4.0 mm	Head OD	5.5 mm	Hex Head	2.5 mm
Pitch	1.75 mm	Head ht	1.3 mm	Cannulation	1.3 mm
Shaft OD	2.4 mm				

Style No.	Screw L	Thread L	Head OD
S40-16S-13	16	5.9	
S40-18S-13	18	6.3	
S40-20S-13	20	6.7	
S40-22S-13	22	7.3	
S40-24S-13	24	8.0	
S40-26S-13	26	8.7	
S40-28S-13	28	9.3	
S40-30S-13	30	10.0	
S40-32S-13	32	10.7	
S40-34S-13	34	11.3	
S40-36S-13	36	12.0	
S40-38S-13	38	12.7	
S40-40S-13	40	13.3	
S40-45S-13	45	13.5	
S40-50S-13	50	13.5	
S40-55S-13	55	13.5	
S40-60S-13	60	13.5	

Recommended Instruments:

Guide wires	K100-13S
Depth Gauges	Z210-060, Z210-100, Z235-100, Z235-100T
Screwdriver	Z300-25-13, Z700-25-13
Countersink	Z230-13, Z220-13, Z620-13, Z630-13
Drill bit	Z400-100-22



4.5 mm Lag Screws: Stainless



4.5 mm Lag Screws: Stainless

Conventional lag screws possess a low-profile head. Screws are hand-sharpened.

General Specifications:

Partially threaded, compression screws for bone fixation.

Material	Stainless steel, 316L				
Thread D	4.4 mm	Head OD	6.5 mm	Hex Head	3.5 mm
Pitch	1.75 mm	Head ht	1.4 mm	Cannulation	1.3 mm
Shaft OD	2.6 mm				

Style No.	Screw L	Thread L	
S45-20S-13	20	7.0	
S45-22S-13	22	7.5	
S45-24S-13	24	8.2	
S45-26S-13	26	8.9	
S45-28S-13	28	9.6	
S45-30S-13	30	10.2	
S45-32S-13	32	10.8	
S45-34S-13	34	11.4	
S45-36S-13	36	12.0	
S45-38S-13	38	12.6	
S45-40S-13	40	13.2	
S45-45S-13	45	15.0	
S45-50S-13	50	16.9	
S45-55S-13	55	18.0	
S45-60S-13	60	20.0	

Recommended Instruments:

Guide wires	K100-13S
Depth Gauges	Z210-060, Z210-100, Z235-100, Z235-100T
Screwdriver	Z300-35-16, Z700-25-16
Countersink	Z230-13, Z220-13, Z620-13, Z630-13
Drill Bit	Z400-150-27



6.5 mm Lag Screws: Stainless



6.5 mm Lag Screws: Stainless

Conventional lag screws possess a low-profile head. Screws are hand-sharpened.

General Specifications:

Partially threaded, compression screws for rear foot fixation & reconstruction.

Material Stainless steel, 316L.

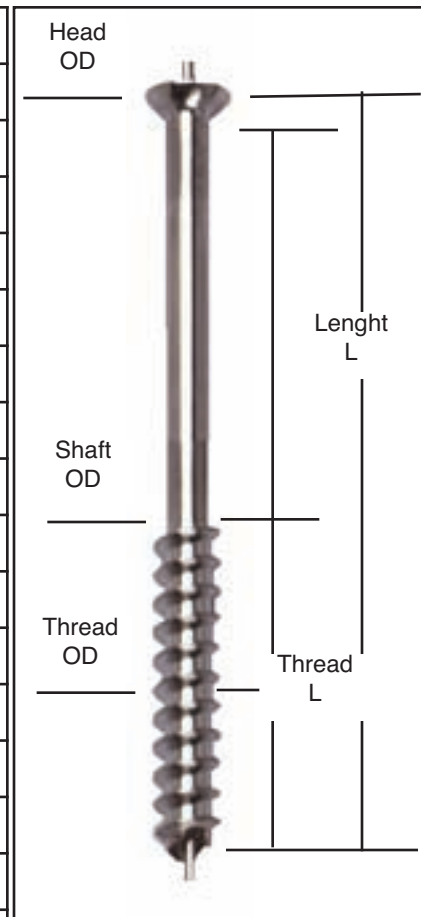
Thread D 6.5 mm Head OD 8.0 mm Hex Head 3.5 mm

Pitch 2.75 mm Head ht 2.0 mm Cannulation 2.0 mm

Shaft OD 4.2 mm

VARIABLE THREAD SCREWS

Style No.	Screw L	Thread L
S65-30S-20	30	10
S65-35S-20	35	12
S65-40S-20	40	13
S65-45S-20	45	15
S65-50S-20	50	15
S65-55S-20	55	15
S65-60S-20	60	16
S65-65S-20	65	18
S65-70S-20	70	20
S65-75S-20	75	22
S65-80S-20	80	24
S65-85S-20	85	26
S65-90S-20	90	28
S65-95S-20	95	30
S65-100S-20	100	32
S65-105S-20	105	32
S65-110S-20	110	32
S65-115S-20	115	32
S65-120S-20	120	32





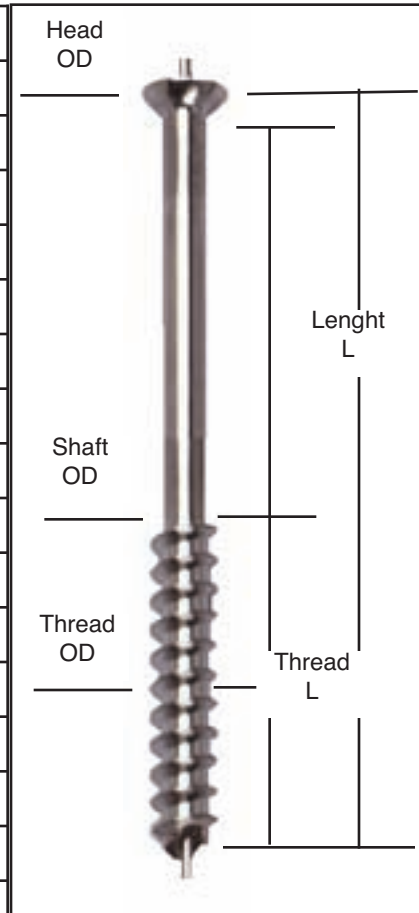
6.5 mm Lag Screws: Stainless



6.5 mm Lag Screws: Stainless

FIXED THREAD SCREWS

Style No.	Screw L	Thread L
S65-30S-20S	30	16
S65-35S-20S	35	16
S65-40S-20S	40	16
S65-45S-20S	45	16
S65-50S-20S	50	16
S65-55S-20S	55	16
S65-60S-20S	60	16
S65-65S-20S	65	16
S65-70S-20S	70	16
S65-75S-20S	75	16
S65-80S-20S	80	16
S65-85S-20S	85	16
S65-90S-20S	90	16
S65-95S-20S	95	16
S65-100S-20S	100	16
S65-105S-20S	105	16
S65-110S-20S	110	16
S65-115S-20S	115	16
S65-120S-20S	120	16



Recommended Instruments:

Guide wires	K230-20, K230-20, K250-20D, K300-20D
Depth Gauges	Z210-230, Z235-230T, Z235-250T
Screwdriver	Z300-35-20, Z700-35-20
Countersink	Z230-20, Z220-20, Z620-20, Z630-20
Drill	Z400-150-45



2.0 mm Lag Screws: Titanium



2.0 mm Lag Screws: Titanium

Conventional lag screws possess a low-profile head. Screws are hand-sharpened.

General Specifications:

Partially threaded, compression screws for small bone fixation

Material Titanium, anodized dark blue

Thread D 2.0 mm Head OD 3.2 mm Cannulation 0.9 mm

Thrd Pitch 0.9 mm Head ht 0.9 mm hex driver 1.6 mm

Shaft OD 1.6 mm

Style No.	Screw L	Thread L
S20-06T-09	6	3.2
S20-07T-09	7	3.2
S20-08T-09	8	3.2
S20-09T-09	9	3.2
S20-10T-09	10	3.5
S20-11T-09	11	3.8
S20-12T-09	12	4.2
S20-13T-09	13	4.5
S20-14T-09	14	4.8
S20-15T-09	15	5.1
S20-16T-09	16	5.4
S20-17T-09	17	5.7
S20-18T-09	18	6.0
S20-19T-09	19	6.0
S20-20T-09	20	6.0
S20-21T-09	21	6.0
S20-22T-09	22	6.0
S20-23T-09	23	6.0
S20-24T-09	24	6.0
S20-40T-09	40	6.0

Recommended Instruments:

Guide wires K100-09S, K60-09S

Depth Gauges Z210-060, Z210-100, Z235-100, Z235-100T

Screwdriver Z300-16-09, Z700-16-09

Countersink Z230-11, Z220-11, Z620-11, Z630-11



2.5 mm Lag Screws: Titanium



2.5 mm Lag Screws: Titanium

Conventional lag screws possess a low-profile head. Screws are hand sharpened.

General Specifications:

Partially threaded, compression screws for small bone fixation

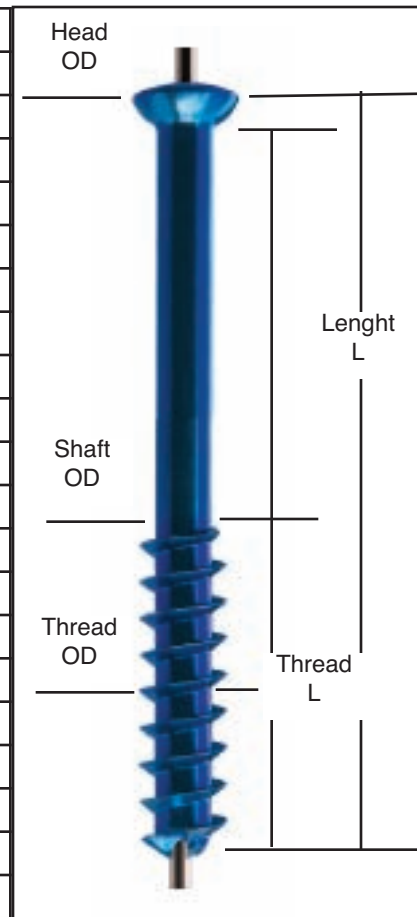
Material Titanium, anodized dark blue

Thread D 2.5 mm Head OD 3.8 mm Hex Drive 2.5 mm

Pitch 1.0 mm Head ht 1.0 mm Cannulation 0.9 mm

Shaft OD 2.0 mm

Style No.	Screw L	Thread L
S25-06T-09	6	3.2
S25-07T-09	7	3.2
S25-08T-09	8	3.2
S25-09T-09	9	3.2
S25-10T-09	10	3.5
S25-11T-09	11	3.8
S25-12T-09	12	4.2
S25-13T-09	13	4.5
S25-14T-09	14	4.9
S25-15T-09	15	5.2
S25-16T-09	16	5.6
S25-17T-09	17	5.9
S25-18T-09	18	6.3
S25-19T-09	19	6.6
S25-20T-09	20	7.0
S25-21T-09	21	6.3
S25-22T-09	22	7.7
S25-23T-09	23	8.0
S25-24T-09	24	8.4
S25-25T-09	25	8.7
S25-26T-09	26	9.1
S25-27T-09	27	9.4
S25-28T-09	28	9.8
S25-29T-09	29	9.8
S25-30T-09	30	10.0



Recommended Instruments:

Guide wires K100-09S, K60-09S

Depth Gauges Z210-060, Z210-100, Z235-100, Z235-100T

Screwdriver Z300-25-11, Z700-25-11

Countersink Z230-11, Z220-11, Z620-11, Z630-11



3.0 mm Lag Screws: Titanium



3.0 mm Lag Screws: Titanium

Conventional lag screws possess a low-profile head. Screws are hand-sharpened.

General Specifications:

Partially threaded, compression screws for small bone fixation

Material Titanium, anodized dark blue

Thread D 3.0 mm Head OD 4.3 mm Hex driver 2.5 mm

Pitch 1.0 mm Head ht 1.1 mm Cannulation 1.1 mm

Shaft OD 2.1 mm

Style No.	Screw L	Thread L	Head OD
S30-06T-11	6	3.2	
S30-08T-11	8	3.2	
S30-10T-11	10	3.5	
S30-12T-11	12	4.2	
S30-14T-11	14	4.9	
S30-16T-11	16	5.6	
S30-18T-11	18	6.3	
S30-20T-11	20	7.0	
S30-22T-11	22	7.7	
S30-24T-11	24	8.4	
S30-26T-11	26	9.1	
S30-28T-11	28	9.8	
S30-30T-11	30	10.0	
S30-32T-11	32	10.0	
S30-34T-11	34	10.0	
S30-36T-11	36	10.0	
S30-38T-11	28	10.0	
S30-40T-11	40	10.0	

Recommended Instruments:

Guide wires K100-11S, K60-11S

Depth Gauges Z210-060, Z210-100, Z235-100, Z235-100T

Screwdriver Z300-25-11, Z700-25-11

Countersink Z230-11, Z220-11, Z620-11, Z630-11



3.5 mm Lag Screws: Titanium



3.5 mm Lag Screws: Titanium

Conventional lag screws possess a low-profile head. Screws are hand sharpened.

General Specifications:

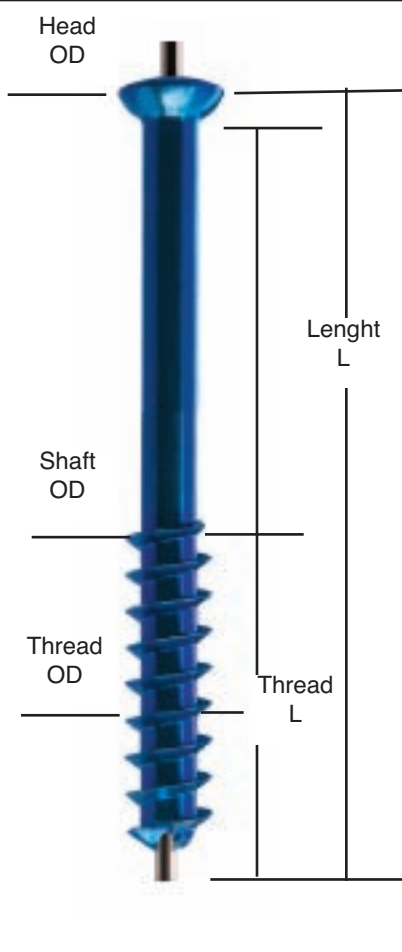
Partially threaded, compression screws for small bone fixation

Material Titanium, anodized dark blue

Thread D 3.5 mm Head OD 5.2 mm Hex driver 2.5 mm

Pitch 1.0 mm Head ht 1.2 mm Cannulation 1.1 mm

Shaft OD 2.2 mm

Style No.	Screw L	Thread L	Head OD
S35-10T-11	10	4.5	
S35-12T-11	12	4.5	
S35-14T-11	14	5.2	
S35-16T-11	16	5.9	
S35-18T-11	18	6.5	
S35-20T-11	20	7.2	
S35-22T-11	22	7.9	
S35-24T-11	24	8.4	
S35-26T-11	26	9.0	
S35-28T-11	28	9.6	
S35-30T-11	30	10.2	
S35-32T-11	32	10.8	
S35-34T-11	34	11.3	
S35-36T-11	36	12.0	
S35-38T-11	38	12.0	
S35-40T-11	40	12.5	
S35-42T-11	42	13.0	
S35-44T-11	44	13.0	
S35-46T-11	46	13.0	
S35-48T-11	48	13.0	
S35-50T-11	50	13.0	

Recommended Instruments:

Guide wires K100-11S, K60-11S

Depth Gauges Z210-060, Z210-100, Z235-100, Z235-100T

Screwdriver Z300-25-11, Z700-25-11

Countersink Z230-11, Z220-11, Z620-11, Z630-11



4.5 mm Lag Screws: Titanium



4.5 mm Lag Screws: Titanium

Conventional lag screws possess a low-profile head. Screws are hand-sharpened.

General Specifications:

Partially threaded, compression screws for bone fixation.

Material: Titanium, anodized dark blue

Thread D 4.4 mm Head OD 6.5 mm Hex Head 3.5 mm

Pitch 1.75 mm Head ht 1.4 mm Cannulation 1.1 mm

Shaft OD 2.6 mm

Style No.	Screw L	Thread L	Head OD
S45-20T-11	20	7.0	
S45-22T-11	22	7.5	
S45-24T-11	24	8.2	
S45-26T-11	26	8.9	
S45-28T-11	28	9.6	
S45-30T-11	30	10.2	
S45-32T-11	32	10.8	
S45-34T-11	34	11.4	
S45-36T-11	36	12.0	
S45-38T-11	38	12.6	
S45-40T-11	40	13.2	
S45-45T-11	45	15.0	
S45-50T-11	50	16.9	
S45-55T-11	55	18.0	
S45-60T-11	60	20.0	

Recommended Instruments:

Guide wires K100-11S

Depth Gauges Z210-060, Z210-100, Z235-100, Z235-100T

Screwdriver Z300-35-16, Z700-35-16

Countersink Z230-16, Z220-16, Z620-16, Z630-16

Drill Bit Z400-100-27



6.5 mm Lag Screws: Titanium



6.5 mm Lag Screws: Titanium

Conventional lag screws possess a low-profile head. Screws are hand-sharpened.

General Specifications:

Partially threaded, compression screws for rear foot fixation & reconstruction.

Material Titanium, anodized dark blue

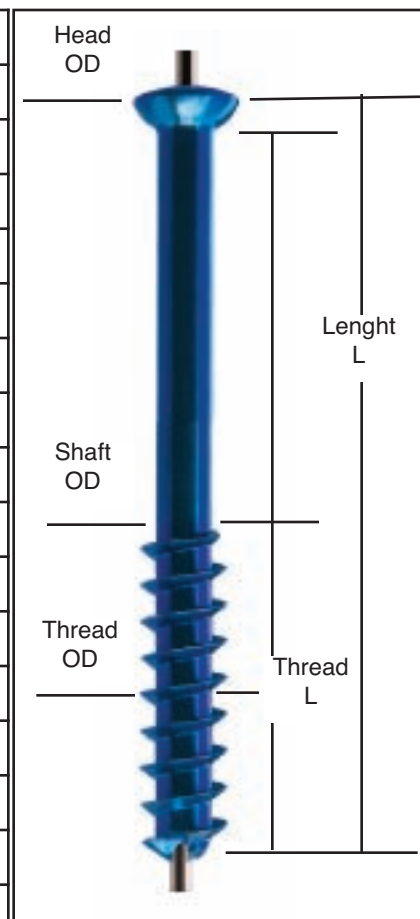
Thread D 6.5 mm Head OD 8.0 mm Hex Head 3.5 mm

Pitch 2.75 mm Head ht 2.0 mm Cannulation 2.0 mm

Shaft OD 4.2 mm

VARIABLE THREAD SCREWS

Style No.	Screw L	Thread L
S65-30T-20	30	10
S65-35T-20	35	12
S65-40T-20	40	13
S65-45T-20	45	15
S65-50T-20	50	15
S65-55T-20	55	15
S65-60T-20	60	16
S65-65T-20	65	18
S65-70T-20	70	20
S65-75T-20	75	22
S65-80T-20	80	24
S65-85T-20	85	26
S65-90T-20	90	28
S65-95T-20	95	30
S65-100T-20	100	32
S65-105T-20	105	32
S65-110T-20	110	32
S65-115T-20	115	32
S65-120T-20	120	32





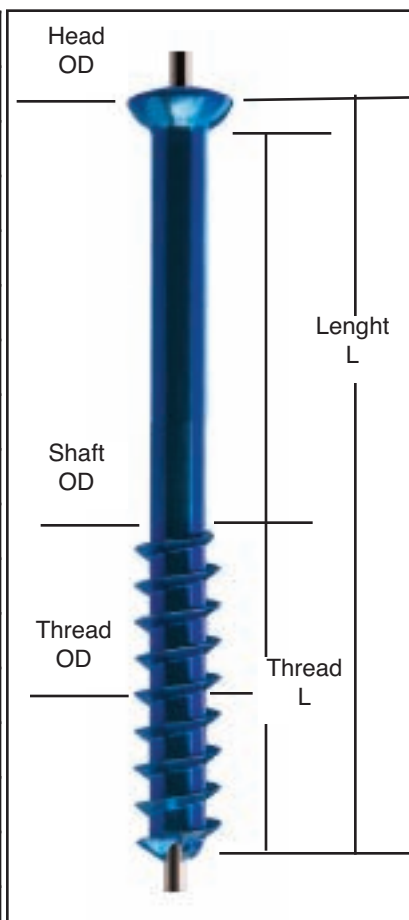
6.5 mm Lag Screws: Titanium



6.5 mm Lag Screws: Titanium

FIXED THREAD SCREWS

Style No.	Screw L	Thread L
S65-30T-20S	30	16
S65-35T-20S	35	16
S65-40T-20S	40	16
S65-45T-20S	45	16
S65-50T-20S	50	16
S65-55T-20S	55	16
S65-60T-20S	60	16
S65-65T-20S	65	16
S65-70T-20S	70	16
S65-75T-20S	75	16
S65-80T-20S	80	16
S65-85T-20S	85	16
S65-90T-20S	90	16
S65-95T-20S	95	16
S65-100T-20S	100	16
S65-105T-20S	105	16
S65-110T-20S	110	16
S65-115T-20S	115	16
S65-120T-20S	120	16



Recommended Instruments:

Guide wires	K230-20, K230-20, K250-20D, K300-20D
Depth Gauges	Z210-230, Z235-230T, Z235-250T
Screwdriver	Z300-35-20, Z700-35-20
Countersink	Z230-20, Z220-20, Z620-20, Z630-20
Drill	Z400-150-45